















“Annex A”


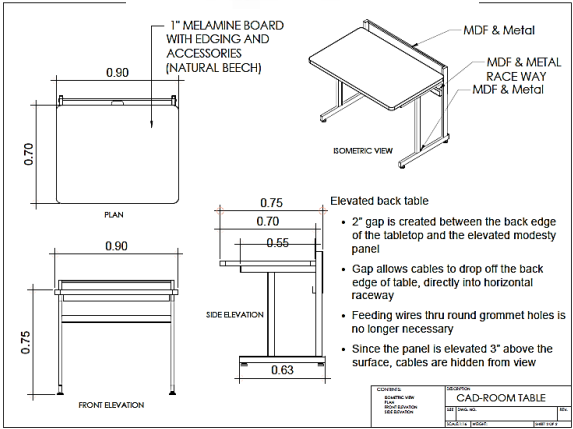

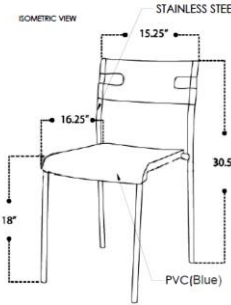
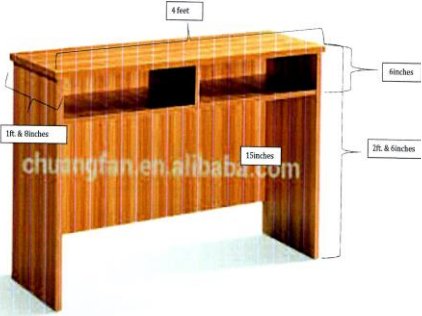
Quantity	Unit	Item Description
4	units	EXECUTIVE SWIVEL CHAIR
		<i>End-user: (3)CoT, (1) Cashier</i>
		<p>Specs:</p> <ol style="list-style-type: none"> 1. Leather Type 2. Brand New 3. 45 Degree wide angle reclining amplitude 4. Footing: Metal Steel, No Footrest 5. Tilt-Lock Function 6. Wide Backrest Pneumatic Height Adjustment
		
33	units	SWIVEL CHAIR
		<p>Office Chair Ergonomic Desk Chair Mesh Computer Chair Lumbar Support Modern Executive Adjustable Stool Rolling Swivel Chair for Back Pain, Black</p> <p><i>End-user:</i> <i>(3)CHTM, (2) Science Laboratory, (1)Records, (10)CompE, (2)CoE, (1)MAA/IAS, (3)Cashier, (2)Procurement, (3) CoT, (2) IGP, (1)BARGO, (1) HRMO, (2) Sports</i></p>
		
6	units	OFFICE VISITOR CHAIR
		<i>End-user: (6)Accounting</i>
		<p>Specs:</p> <p>Dimension: W57 xD74 x H95cm Color: Fabric: Black; Metal: Chrome Item Material Backrest: 13mm thick plywood w/ 50mm thick foam covered w/ PU faux leather Seat: 13mm thick plywood w/ 50mm thick foam covered w/ PU faux leather Armrest: 13mm thick plywood covered w/ PU faux leather fabric Legs: 20 x 40mm x 10mm thick metal tube in chrome plating finish</p>
		



18	units	STACKABLE CHAIR
		<i>End-user: (18) CHTM</i>
		<p>Specs: Premium red banqueting chair, gold steel framed chair with a red padded seat & back. suitable for use at weddings, conferences and other corporate event venues and stack neatly when not in use. Dimensions: 94 cm high, 44 cm wide with a seat height of 49 cm. The frames are 2.5 cm x 2.5 cm in size and each chair weighs 6.4 kg</p> 
25	units	HIGH STOOL
		<i>End-user: DFoST</i>
		<p>Colors: Granite Mintgreen, Granite White, Granite Beige, Burgundy, Midnight Blue SIZE: 24H" x 13.75D" x 13.75W" DESCRIPTIONS: Monobloc Stool. This plastic high stool can be used for eateries, canteens or cafeteria, and even in school laboratories.</p> 
3	units	DINING CHAIR
		<i>End-user: (3) CHTM</i>
		<p>Specs: mirrored chrome legs; ergonomically padded; cushioned white faux leather seat, supportive & stylish quilted backrest</p> 


9	units	EXECUTIVE TABLE
		<i>End-user: (2) CoT, (5) Procurement, (2) Medical/Dental</i>
		<p>Specs: Size: 1400 x 1200 x 750mm Material: Melamine Plate</p> 
10	units	OFFICE TABLE
		<i>End-user: (2)IGP, (1) BARGO, (1) OSAS, (1) Sports, (3)Medical/Dental, (2)CoT</i>
		<p>Specs: Centralized lock Office Table Size: 120cm x 60cm x 76cm Color: Black Beech</p>
21	units	FOLDING TABLE
		<i>End-user: (20) CCSIT, (1)Procurement</i>
		<ul style="list-style-type: none"> ·Black 6 ft. Light Commercial adjustable height ·Fold in half table ·With carry handle
4	units	<i>End-user: (4) CHTM</i>
		<p>Specs:</p> <ul style="list-style-type: none"> • Constructed of blow molded high density polyethylene • Dent and scratch resistant • Lightweight - easy to transport, set-up and store • Heavy gauge, powder coated steel legs • Measures 37-inches length by 37-inches width 
2	units	<i>End-user: (2) OP</i>
		<p>Specs: Folding Table with 2nd layer steel powder coated finish high pressurized, wooden laminated top post form wedging, 4 caster wheels w/ lock Color: Light Gray (120Wx40Dx75H in cm)</p> 

TEACHER'S TABLE		
3	units	<p>Specs: (2) CHTM, (1) Accounting Dimension W240 x D120 x H100cm Color Gray Walnut (A373) 4 partition with 4 fixed drawers Made of 25mm thick Melamine laminated on Particle board with 15mm thick MDF board drawer and 20 x 25mm Aluminum edging and 105mm Metal handle.</p> 
1	units	<p>Specs: (1) CHTM Dimensions 178.6 x 71.6 x 76 cm Item Material : E1 Melamine particle board, Powder coating steel</p> 
6	units	<p>Specs: (6)CHTM Dimension W120 x D54 x H76cm Color Panel: Black Walnut Metal: White Item Material - 18mm thick Melamine laminated on E1 grade Particle board with 3mm thick MDF drawer floor board. - 20x40x1.0 mm steel tube leg in anti-UV powder coated finish. 16inches metal drawer slide and 96mm Aluminum handle. Product Weight : 34kgs</p> 

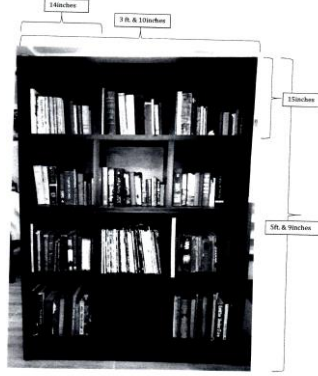


12	units	<p><i>End-user: (12)College of Technology</i></p> <p>Specs: Size: 750mm x 500 x 1000mm</p> 
		TABLES
		<i>End-user: Accounting</i>
6	units	<p>Specs: Executive Office Desk (6) Dimension: W180 x D160 x H75cm Desk: W180 x D160 x H75cm Cabinet: W160 x D40 x H85cm Color: Panels: Cedar and Black Combination MetalFrame: Black Material: 15 mm thick Particle Board laminated w/ melamine panels</p> 
1	units	<p>Glass Top Reception Desk (1) Color: Dark Grey & Parchment White; Materials:18mm particle board with melamine finish Edges banding: Impact-resistant PVC,2mm for table top,0.8mm for other panels Well-organized wire grommets on top One standard office desk and one mobile B/B/F pedestal for options</p> 
1	units	<p>2P Workstation Table (1) Size: 120 x 120cm</p> 




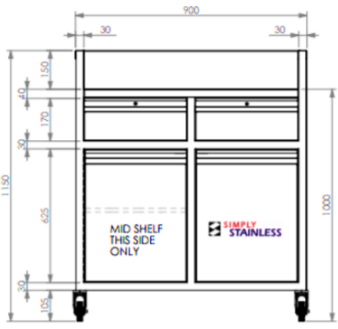
		COMPUTER TABLE & CHAIRS
		<i>End-user: Civil Engineering</i>
14	sets	<p>Specs: CAD Room Laboratory Table and Chair</p> <p>Computer Table</p>   <p>1\" MELAMINE BOARD WITH EDGING AND ACCESSORIES (NATURAL BEECH)</p> <p>MDF & Metal</p> <p>MDF & METAL RACE WAY</p> <p>MDF & Metal</p> <p>ISOMETRIC VIEW</p> <p>PLAN</p> <p>FRONT ELEVATION</p> <p>SIDE ELEVATION</p> <p>Elevated back table</p> <ul style="list-style-type: none"> • 2\" gap is created between the back edge of the tabletop and the elevated modesty panel • Gap allows cables to drop off the back edge of table, directly into horizontal raceway • Feeding wires thru round grommet holes is no longer necessary • Since the panel is elevated 3\" above the surface, cables are hidden from view <p>CONTRACTOR: <input type="text"/> QUANTITY: <input type="text"/></p> <p>DATE: <input type="text"/> PROJECT: <input type="text"/></p> <p>SCALE: <input type="text"/> DRAWN BY: <input type="text"/></p> <p>CAD-ROOM TABLE</p>
14	sets	<p>Specs: Multi-Purpose Chair Blue</p>   <p>Material: PVC Color: Blue Dimension: L15.25\" x W16.25\" x H30.5</p> <p>STAINLESS STEEL 304</p> <p>ISOMETRIC VIEW</p> <p>PERSPECTIVE</p> <p>PVC(Blue)</p>
10	units	FABRICATED WOODEN CLASSROOM TABLE
		<i>End-user: (10) Graduate School</i>
		<p>Specs: H: 2ft & 6inches L: 4ft W: 1ft & 8inches from top-shelves: 6inches</p>  <p>4 feet</p> <p>1ft. & 8inches</p> <p>6inches</p> <p>2ft. & 6inches</p> <p>15inches</p> <p>chuangfan.en.alibaba.com</p>



5	units	COMPUTER LABORATORY TABLE
		<i>End-user: (5) Electrical Engineering</i>
		<p>Specs: Dimensions: 1600L x 1200W x 1100H (mm)</p> 
		LABORATORY TABLES
		<i>End-user: DFoST</i>
6	units	<p>Specs: Standard Simply Stainless SS03.7.0900 Mobile work bench with castors available in 600mm or 700mm deep with a diameter of 100mm. Bench dimensions of 900mm wide x 700mm deep x 900mm high. 1.2mm thick stainless steel top with 3mm reinforced backing to work top</p> 

1	unit	<p>Specs: Structure C-Frame Structure-Frame Structure, Floor Standing Mounted Size L*150(1500) W*450H (mm) Pedestal Support 40x60x2.0mm Thk. cold rolled square steel (RHS.)35x35x1.5mm Thk. Aluminum Extruded Sections Or Rectangular Hollow Square Steel Pipe Worktop 1. Solid Epoxy Resin 2. Solid Phenolic Resin 3. 5mm Safety Glass Cabinet Material 1.Made of 1.0~1.2mm thick cold rolled steel ,with chemical-resist powder coating available in many colors. 2. Made of Melamine faced wood, edges covered by PVC. Painting Process washing--pickling--phosphating--acid washing---pre-bake--powder painted--solidify. Craft Process Raw Material--CNC Cutting--Punching--Bending--Spot Welding--Coating--Package—Shipment Handle Integrated with door and drawer/Plastic/Aluminum alloy Adjustable Foot Design for adapt to uneven ground</p> 
		STEEL CABINET
2	units	<p>Specs: High quality cold-rolled steel With 04-adjustable shelves Recessed handles,01-lock and 02-pcs. keys Sliding door with acrylic glass Finish: Smooth Plain Enamel (Standard Color: Beige, Blue, Flat Brown, Gray, Green and Wrinkle Brown) Overall Dimension: 71"Height x 35 5/8" Width x 15 3/4"Depth End-user: VPARI</p>
2	units	<p>Specs: 1m x 0.5 m x 1.5m height 4 Layers End-user: ME</p>

9	units	<p>Specs: Key-Lock Mechanism 4-Layer Cabinet Dimensions:L-60cm; W-46cm; H-131.5cm Color: Grey <i>End-user: (4)CoT, (2)IGP, (1)OSAS, (1)Sports. (1) CompE</i></p> 
2	units	<p>Specs: 3 drawers filing lateral cabinet Color: Beige <i>End-user: Procurement</i></p>
2	units	<i>End-user: OP (Display Cabinet with Glass)</i>
2	units	<i>End-user: DRRM</i>
1	units	<i>End-user: BOR</i>
10	units	<p>MOBILE PEDESTAL CABINET <i>End-user: (10) Computer Engineering</i></p>
		<p>Specs: Material : Metal Color : Black/ Any color Dimension: 40 cm (w) x 56 cm (d) x 65(h) cm</p> 
1	unit	<p>SHELVES <i>End-user: (1) IGP</i></p>
		<p>Specs: Slotted Angle Shelving Racks (Customized) 5 layers, 200 cm x 50cm x 200 cm</p>
1	unit	<i>End-user: (1)Mechanical Engineering</i>
		<p>Specs: Steel rack shelves (5 layer) Columns are split into 2pcs for Easy transport (Collapsible) 100 Kls Per Layer 5 Layers Boltless Warehouse Rack Shelves Shelf Dimension: L-48"; W-16"; H-72"</p>

1	units	FABRICATED BOOK SHELF
		<i>End-user: Graduate School</i>
		<p>Specs: Dimension: H: 5ft & 9 inches; L: 3ft & 10 inches; W: 14 inches; L: 15 inches</p> 
2	units	STEEL FRAME PLYWOOD SHELVES
		<i>End-user: Accounting</i>
		<p>Specs: Size: Height- 78 inches; Length-36 inches</p> 
1	set	SALA SET
		<i>End-user: OP</i>
		<p>Specs:</p> <ul style="list-style-type: none"> • Elegant and Modern Design • Leather Design • Color (Chocolate Brown) • Single Couch only • 3 seaters
1	set	<p><i>End-user: Accounting</i></p> <p>Specs: Material: Wood + Leatherette Color: Wenge and Mahogany Cushion Color: Black Set Includes: 1 pc 3-Seater + 2pcs Single Seater + 1pc Center Table + 1 pc Side Table</p> 

5	units	PLATFORM FOR DIAPER CHANGING BABIES
		<i>End-user: GAD</i>
		<p>Specs: Platform for baby diaper changing/ Baby Nursing table foldable nursing Table Multifunctional wall mounted (plastic)</p> 
11	pcs	ROLLED-UP BLINDS with Installation
		<i>End-user: Cashier</i>
		<p>Specs: 6 pcs - 49" length x 50" height 2 pcs - 52" length x 50" height 1 pc. - 59" length x 50" height 2 pcs - 66" length x 50" height Color: Beige</p> 
2	units	SERVICE STATION
		<i>End-user: CHTM</i>
		<p>Specs: Waiter's Station</p>  

		<p>Food Service Station 1</p> <table border="1"> <tr> <td>Tops</td> <td>Black Crystal</td> </tr> <tr> <td>Dimension</td> <td>146 inch. In X 40 inch. X 40 inch.</td> </tr> </table> 	Tops	Black Crystal	Dimension	146 inch. In X 40 inch. X 40 inch.										
Tops	Black Crystal															
Dimension	146 inch. In X 40 inch. X 40 inch.															
		<p>Food service station 2</p> <table border="1"> <tr> <td>Tops</td> <td>wooden</td> </tr> <tr> <td>Dimension</td> <td>146 inch. In X 40 inch. X 40 inch.</td> </tr> </table>  <table border="1"> <tr> <td>Tops</td> <td>1.2mm gauge, high quality stainless steel, no. 4 finish, double skinned</td> </tr> <tr> <td>Drawers</td> <td>1.2mm gauge, high quality stainless steel w/lock</td> </tr> <tr> <td>Body</td> <td>Full double skinned and welded construction, open to RHS, mid shelf to LHS, double skinned doors to front, full piano hinge</td> </tr> <tr> <td>Feet</td> <td>4 x Castors (2 x locking, 2 x non locking), plate mounted nylon</td> </tr> <tr> <td>Dimensions</td> <td>900mm x 600mm x 1050mm</td> </tr> </table>	Tops	wooden	Dimension	146 inch. In X 40 inch. X 40 inch.	Tops	1.2mm gauge, high quality stainless steel, no. 4 finish, double skinned	Drawers	1.2mm gauge, high quality stainless steel w/lock	Body	Full double skinned and welded construction, open to RHS, mid shelf to LHS, double skinned doors to front, full piano hinge	Feet	4 x Castors (2 x locking, 2 x non locking), plate mounted nylon	Dimensions	900mm x 600mm x 1050mm
Tops	wooden															
Dimension	146 inch. In X 40 inch. X 40 inch.															
Tops	1.2mm gauge, high quality stainless steel, no. 4 finish, double skinned															
Drawers	1.2mm gauge, high quality stainless steel w/lock															
Body	Full double skinned and welded construction, open to RHS, mid shelf to LHS, double skinned doors to front, full piano hinge															
Feet	4 x Castors (2 x locking, 2 x non locking), plate mounted nylon															
Dimensions	900mm x 600mm x 1050mm															
3	units	TABLE TOP GLASS														
		<i>End-user: (1)Science Laboratory, (2)Records</i>														
		<p>Specs: 1 unit= Size: 42" x 24" x 5cm thickness 1 unit= Size: 2.5ft x 3.7ft x 5cm thickness 1 unit= Size: 2ft x 4ft x 5cm thickness</p>														
1	unit	WHITEBOARD <i>End-user: OSAS</i> Size: 6' x 4'														